



Hegewald & Peschke
Meß- und Prüftechnik GmbH

Product Information

Universal Testing Machine Inspekt 600kN



Hegewald & Peschke, Meß- und Prüftechnik GmbH
Am Gründchen 1, 01683 Nossen, Germany
Telephone: +49 35242 445-0, Telefax: +49 35242 445-111
E-Mail: info@hegewald-peschke.de
<http://www.hegewald-peschke.com>

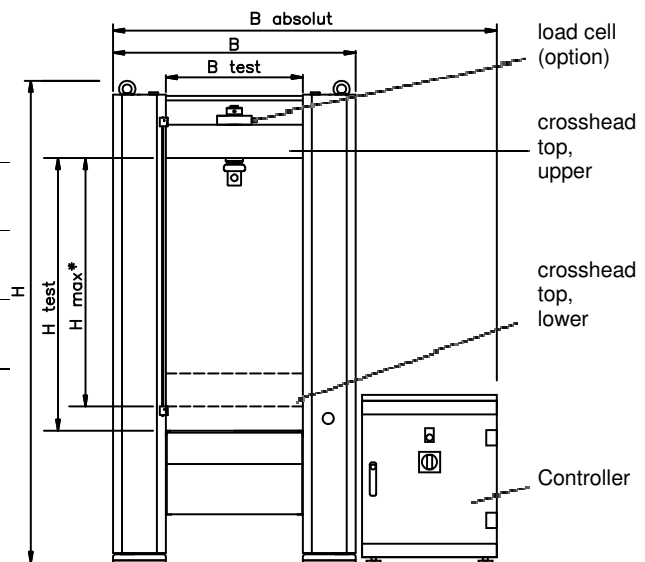
Technical data:

Test load	600kN
Mechanical design	2 zero backlash ball screws, 4 hardened and chromed guide posts, driven by an AC-servo motor
Stiffness load frame	550kN/ mm (with deformation of load cell and adapters)
Force measurement	Grade 0.5/1 depending on type load cell (according DIN ISO 7500-1, ASTM E4)
Crosshead speed V	0,001mm/ min to 300mm/ min
Drive systems travel resolution	<0,05µm
Power ratings	3P/PE/400V/ 50Hz, 7,0 kW, 5 - 40°C, 20 - 80% humidity
Weight	2500kg
Controller	EDC 580

Dimensions:

H Hight	2450
H test Test area height	1370
H max *Max. crosshead travel	1060
B absolut Width with control	ca. 1990

*crosshead travel without grips, adapters and load cells



View universal testing machine with dimensions