



Hegewald & Peschke
Meß- und Prüftechnik GmbH

Product Information

Universal Testing Machine Inspekt 400kN



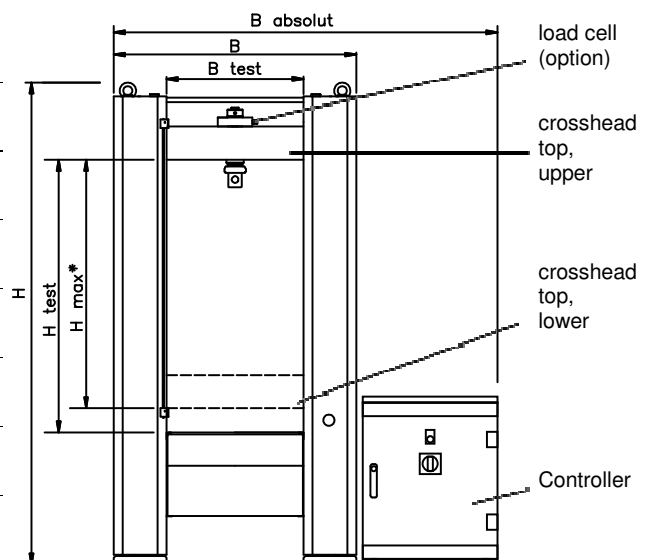
Hegewald & Peschke, Meß- und Prüftechnik GmbH
Am Gründchen 1, 01683 Nossen, Germany
Telephone: +49 35242 445-0, Telefax: +49 35242 445-111
E-Mail: info@hegewald-peschke.de
<http://www.hegewald-peschke.com>

Technical data:

Test load	400kN
Mechanical design	2 zero backlash ball screws, 4 hardened and chromed guide posts, driven by an AC-servo motor
Stiffness load frame	390kN/ mm (with deformation of load cell and adapters)
Force measurement	Grade 0.4/1 depending on type load cell (according DIN ISO 7500-1, ASTM E4)
Crosshead speed V	0,002mm/ min to 1000mm/ min
Drive systems travel resolution	<0,05µm
Power ratings	3P/PE/400V/ 50Hz, 7,0 kW, 5 - 40°C, 20 - 80% humidity
Weight	2300kg
Controller	EDC 580

Dimensions:

	[mm]
H (Hight)	2450
H test (Test area height)	1370
H max * (Max. crosshead travel)	1090
B absolut (Width with control)	ca. 1990
B (Width)	1350
B test (Test area width)	750
T (Depth)	850



View universal testing machine with dimensions

*crosshead travel without grips, adapters and load cells

Your contact person: