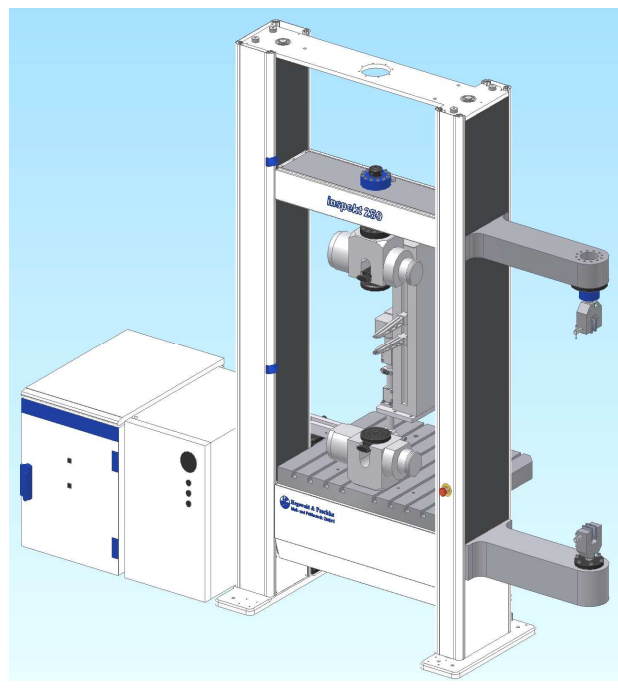
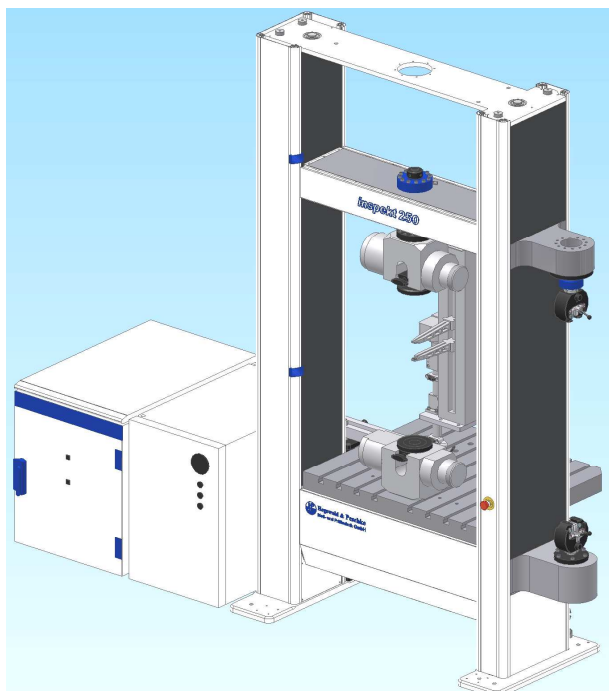
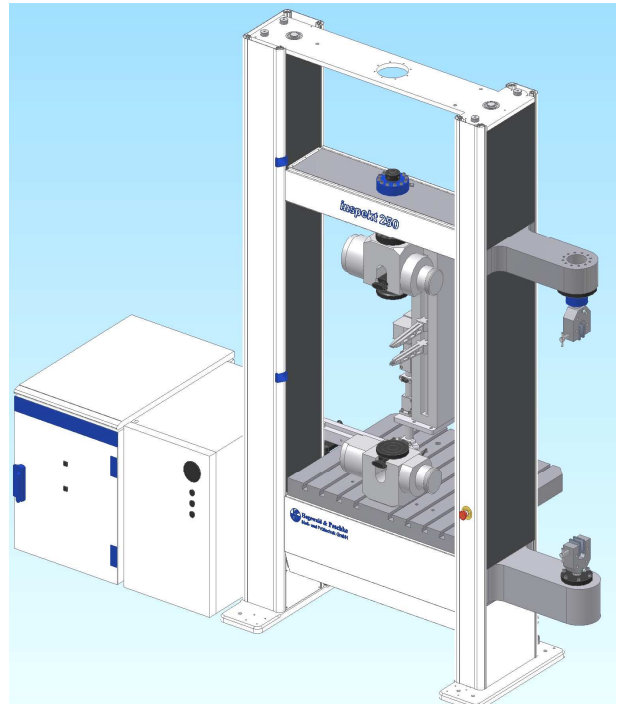
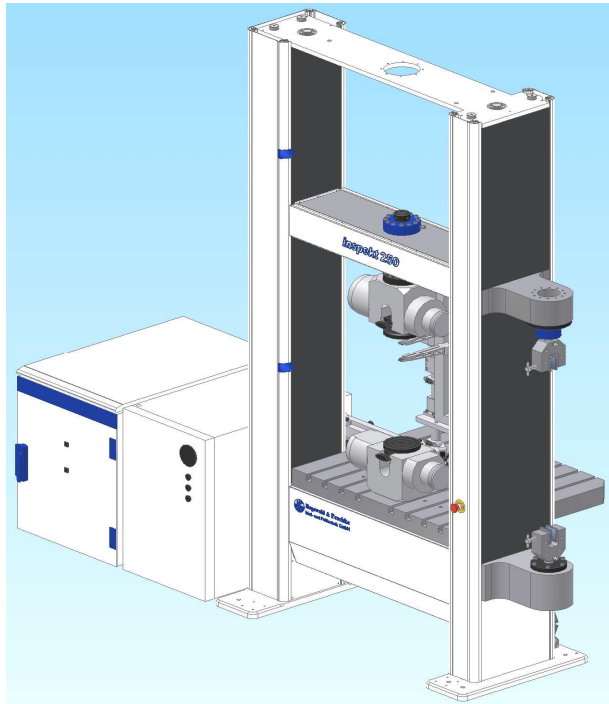


## Universal Testing Machine

**Inspekt 100kN, 150kN, 200kN, 250kN and 300kN**





<p><b>10-003-500</b> <b>inspekt 100kN,</b> <b>50kN lateral</b></p>	<p><b>Inspekt 100/50kN</b> optional broadening and elongation, width +140mm/+430mm, height +250mm/+550mm</p> <p><b>lateral test bench 50kN</b> – working chamber depth 150mm (based on test axis)</p> <p>You can choose between mechanical and hydraulic clamps. If desired, we can integrate a T-groove plate.</p>
<p><b>10-003-515</b> <b>inspekt 150kN,</b> <b>50kN lateral</b></p>	<p><b>Inspekt 150/50kN</b> optional broadening and elongation, width +140mm/+430mm, height +250mm/+550mm</p> <p><b>lateral test bench 50kN</b> – working chamber depth 150mm (based on test axis)</p> <p>You can choose between mechanical and hydraulic clamps. If desired, we can integrate a T-groove plate.</p>
<p><b>10-003-520</b> <b>inspekt 200kN,</b> <b>100kN lateral</b></p>	<p><b>Inspekt 200/100kN</b> optional broadening and elongation, width+140mm, height +250mm</p> <p><b>lateral test bench 100kN</b> – working chamber depth 150mm (based on test axis)</p> <p>You can choose between mechanical and hydraulic clamps. If desired, we can integrate a T-groove plate.</p>
<p><b>10-003-525</b> <b>inspekt 100kN,</b> <b>100kN lateral</b></p>	<p><b>Inspekt 250/100kN</b> optional broadening and elongation, width +140mm, height +250mm</p> <p><b>lateral test bench 100kN</b> – working chamber depth 150mm (based on test axis)</p> <p>You can choose between mechanical and hydraulic clamps. If desired, we can integrate a T-groove plate.</p>
<p><b>10-003-530</b> <b>inspekt 100kN,</b> <b>100kN lateral</b></p>	<p><b>Inspekt 300/100kN</b> optional elongation, height +250mm</p> <p><b>lateral test bench 100kN</b> – working chamber depth 150mm (based on test axis)</p> <p>You can choose between mechanical and hydraulic clamps. If desired, we can integrate a T-groove plate.</p>