



Hegewald & Peschke
Meß- und Prüftechnik GmbH

Product Information

Test dummy for testing functional mechanics

for seating furniture and reclining sofas according to EN 13759



Hegewald & Peschke, Meß- und Prüftechnik GmbH
Am Gründchen 1, 01683 Nossen
Telefon: +49 35242 445-0, Telefax: +49 35242 445-111
E-Mail: info@Hegewald-Peschke.de
<http://www.Hegewald-Peschke.com>

Application:

- Testing of functional mechanisms for seating furniture and reclining sofas according to DIN EN 13759
- Testing of hand-operated and motor-operated rocking mechanisms on seating furniture
- Testing of strength and durability of mechanisms

Construction:

The test body is designed in four parts and agile as shown in the standard. The weight distribution to the individual segments is realized by fixed steel weights, the total weight is 100 kg. An eyebolt is mounted on the weight of the upper part, so that the transport can be done with the help of a hoist. The foot part is stabilized towards the lower leg segment with a knotted angle.

All "body parts" can be dismantled so that the manikin can be operated and placed without any aids.

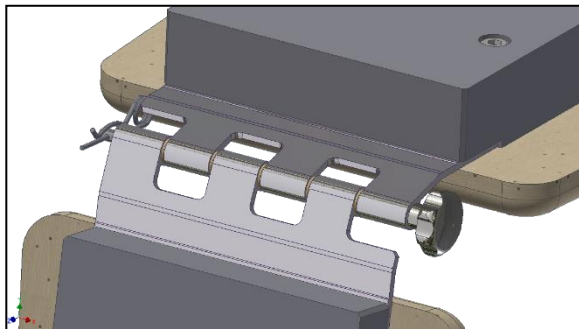


Fig. 1: Joint mechanism for separating the individual segments