



## Product Information

# Universal testing machine inspekt solo





### General Product Description

With regard to material and component testing in the small load range, the Hegewald & Peschke MPT GmbH has developed the inspekt solo universal testing machine series in three different test room heights. The inspekt solo is a cost-efficient table-top device with low weight, high bending stiffness and suitable for tensile, compression and bending tests on various materials. In combination with the ergonomic design and the new drive concept with step motor, a reliable and fast measurement is guaranteed with simple operation both in harsh production environments and in sterile laboratories.

### Essential Characteristics

- innovative brushless drive without gear drive
- reduced noise pollution due to low motor speed and optimized frequency range
- control by crosshead travel, speed and load
- high-precision force measurement using strain gauge force transducers
- compact workplace design
- designed for standing and seated operation at the work table due to very flat lower crosshead and lateral arrangement of the electronics
- large machine base plate for setting up accessories and storing tools or samples
- easy cleaning of the machine

### Frame and Test Room Height

The inspekt solo single-spindle universal testing machine has a ball screw that is free of play in a C-frame design with spindle protection and an innovative brushless drive motor.

The inspekt solo universal testing machine is available in three different test room heights and can thus be optimally adapted to individual requirements.

Test Room Height: 1375mm (Art.-No.: 10-008-220)

especially tensile tests on plastics, silicones, elastomers  
(very high strains)

Test Room Height: 1075mm (Art.-No.: 10-008-210)

especially tensile tests on plastics, metals  
(medium strains)

Test Room Height: 475mm (Art.-No.: 10-008-200)

especially bending/compression tests

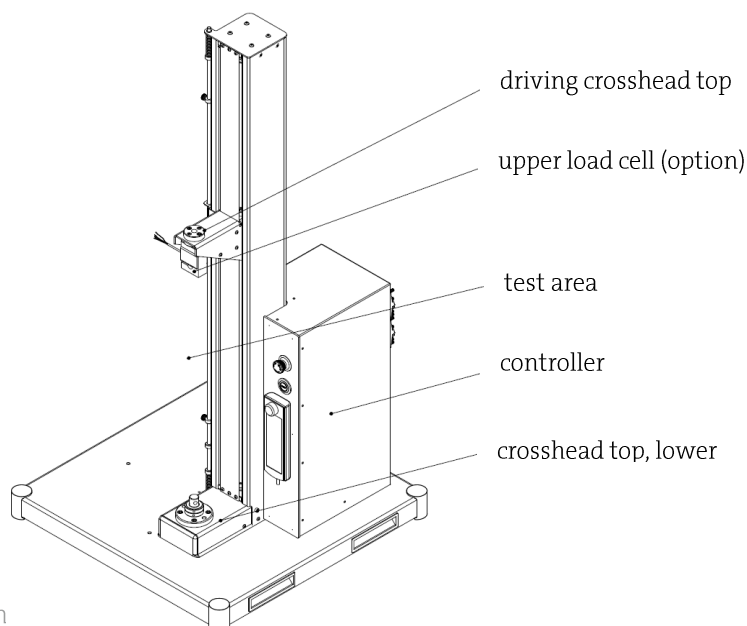


Your contact person:



Technical Data

<b>Test load tension/compression</b>	2,5kN
<b>Mechanical design</b>	1 zero play recirculating ball screws , 1 rail brushless drive
<b>Force measurement</b>	Measuring range: class 1 in the range of 0.2 to 100% of nominal load (optionally class 0.5) depending on the force sensor used (according to DIN EN ISO 7500-1, ASTM E4)
<b>Crosshead speed V</b>	0,05mm/min to 1200mm/min
<b>Test chamber height</b>	475mm/1075mm/1375mm
<b>Working space depth</b>	105mm
<b>Drive systems travel resolution</b>	<1µm
<b>Power ratings</b>	115/230V AC, 400V A, 50/60Hz, 5 - 40°C, 20 - 80% humidity
<b>Weight</b>	45kg
<b>Data processing</b>	USB 2.0 Interface or LAN, data transfer rate to PC: 200 Hz (50 Hz standard), internal data-processing rate 1000Hz (1 ms)
<b>Controller</b>	EDC 220
<b>Application</b>	Testing of plastics, lightweight materials and components component tests Elastomer tensile tests

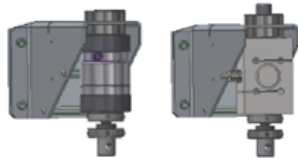




## Necessary Accessory

### Standard Load Cells

Including H&P-factory calibration report class 1 acc. DIN EN ISO 7500-1 (class 0,5 optional, DAkkS calibration optional)



force measuring range	S-load cells article number	R- load cells article number
10 N	11-001-343 (M8)	
20 N	11-001-348 (M8)	
50 N	11-002-343 (M8)	
100 N	11-003-343 (M8)	
200 N	11-003-348 (M8)	
500 N	11-004-343 (M8)	11-004-305 (M8)
1 kN	11-005-343 (M8)	11-005-350 (M8)
2 kN	11-007-342 (M12)	11-005-352 (M8)
2,5 kN	11-005-347 (M12)	

### Adapter

connection load cells	article number
M8	12-009-003
M12	12-009-005

## Optional Accessory

### Safety Doors

The round safety door for the inspekt solo testing machine is made of transparent material and can be opened by sliding to the left without electrical interlocking. The safety door encloses the entire test area. When using the safety door, the hand panel RMC7 (Art.-No.: 10-030-897) is necessary.



item	article number – short	article number – medium	article number - long
round safety door, closed on all sides	19-008-100	19-008-110	19-008-120

### Extensometer and Holder

The use of long distance extensometers, video extensometers and extensometer holders is also possible.

article number	item	extensometer holders
15-024-021	long distance extensometers L700, series table/BLUE/solo/duo	15-008-100
15-024-020	long distance extensometers L1100, series table/BLUE/solo/duo	
15-012-400/ -410/ -420	video extensometers MERCURY Video-Track	15-008-130
others on request		

### Organization System for Tools

The T-wall with storage options for clamping devices, load cells and accessories can be mounted directly on the base plate of the machine. However, it cannot be combined with a safety door.

article number	item
19-008-901	organization system for tools

### Workbenches

An ergonomically designed workplace with functional equipment is the basis for an efficient performance of tasks. In order to facilitate the design of the measuring workplace, we offer you the following accessories.



article number	item
19-008-801	color frame RAL 9006, 40mm strong beech wood panel, cable gland, cable duct, working height adjustable from 0.85 to 1.15m, load capacity up to 1000kg area load B0,75m x T0,7m
19-008-810	color frame RAL 9006, 40mm strong beech wood panel, computer holder, cable gland, cable duct, working height adjustable from 0.85 to 1.15m, load capacity up to 1000kg area load B1,5m x T0,9m
19-008-820	color frame RAL 9006, 40mm strong beech wood panel, computer holder, cable gland, cable duct, working height adjustable from 0.85 to 1.15m, load capacity up to 1000kg area load B2m x T0,9m with base unit

### Hand Panel

article number	item
10-030-896	Hand Panel RMC 6
10-030-897	Hand Panel RMC 7 (with emergency stop function) – necessary for the operation with a safety door

Your contact person: