



# Hegewald & Peschke

Meß- und Prüftechnik GmbH

Product information

## Universal testing machine inspekt 150 kN



Hegewald & Peschke, Meß- und Prüftechnik GmbH  
Am Gründchen 1, 01683 Nossen, Germany  
Telephone: +49 35242 445-0, Telefax: +49 35242 445-111  
E-Mail: [info@Hegewald-Peschke.de](mailto:info@Hegewald-Peschke.de)  
<https://www.Hegewald-Peschke.com>



## Solid construction for highest measuring and control precision

- 4 guiding columns and 2 backlash-free precision ball screws
  - Precise force transmission
  - High lateral force stability
  - Increased axial stiffness
- Robust design with casing and bellow cover
  - Low maintenance needs
  - Also for use in harsh production environments
- Powerful brushless AC drive
  - Increased test speeds
  - For static material testing as well as for alternating and continuous loading

## Flexible design for versatile applications

- In standard lower and upper test rooms; optional additional lateral test room
  - Different test tasks without changing the test tools
  - Ergonomic working height
- Variable load frame for different test room heights and widths
- Connection of peripheral devices (e.g. ovens, temperature chambers) and additional measuring and control channels possible

## Our testing machines speak your language: LabMaster - the testing software from Hegewald und Peschke

- User-friendly usage concept
- Complete software including all test modules (tensile, compression, bending, peel test) without additional costs
- Universally applicable: simple and complex test procedures: standard-compliant and customer-specific
- High flexibility for integration of external devices, data import and export as well as free configuration of test procedures



## Innovative control electronics for maximum measurement resolution & extensive functionality

- High modularity and control precision
- Adaptive controller
- High-quality signal converters for maximum resolution
- Standard functions:
  - Force, displacement, strain control
  - Overload protection
  - Automatic sensor identification incl. calibration data storage
  - Specimen break detection
  - Return function
  - Manual positioning via hand panel or our testing software LabMaster

## Highest safety with maximum operating convenience

- CE-compliant protective housing optionally available for every application
- Sustainable: capable for cost-efficient and application-oriented updates/upgrades
- Stable and vibration-damped: large machine feet allow leveling as well as installation without foundation and increase stability

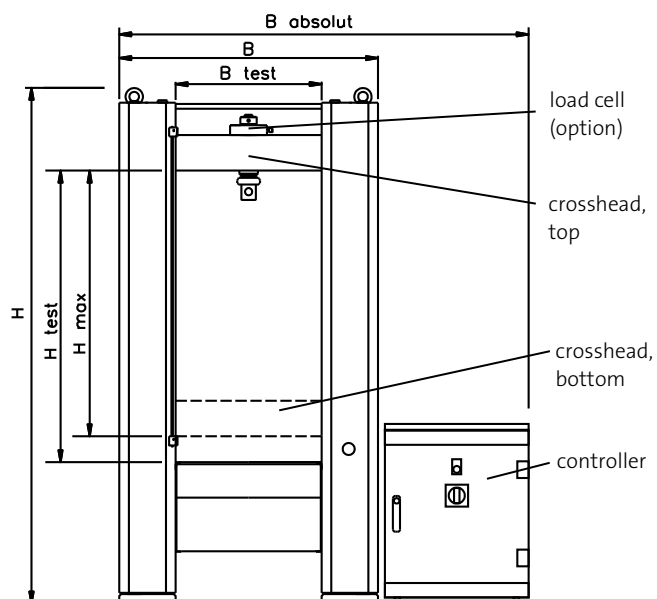


Technical data:

<b>Nominal load</b>	Main working room: 150 kN, test room above the moving crosshead: 3 kN
<b>Mechanical structure</b>	2 backlash-free precision ball screws, 4 hardened guide columns - with spindle protection, drive via AC servo motor
<b>Stiffness of the test frame</b> (incl. deformation of load cell and tool adapter)	170 kN/mm
<b>Test speed</b>	0.0001 - 1000 mm/min ( <i>optionally expandable</i> )
<b>Resolution of crosshead travel measurement</b>	<0,002 µm
<b>Force measuring range</b>	Class 1 (optionally class 0.5) from 0.1 - 100 % of the nominal load depending on the load cell used (according to DIN EN ISO 7500-1, ASTM E4)
<b>Measuring, control and regulating electronics</b>	Load and traverse path channel integrated 3 additional free slots for data acquisition cards for additional control channels available ( <i>optional expandable to 7 slots</i> )
<b>Data transmission</b>	Ethernet (LAN) or USB, 50 Hz (standard), <i>optionally higher data acquisition frequency</i>
<b>Electrical connection</b>	3P/PE/400 V/ 50 Hz / (TN- Net) 4.0 kW, 4 m cable with 16CEE plug on machine-controller, 5- 40 °C, 20- 80 % humidity
<b>Main test tool connection</b>	R60/30 or LK135-12xM12-IG
<b>Scope of delivery</b>	Testing machine with measurement and control electronics, hand panel with force-displacement display for manual positioning & setup operation
<b>Options necessary for operation:</b>	Load cell, clamping tool/testing tool, adapter set, LabMaster user software, PC (current standard), Windows® operating system

Dimensions/weight:

	[mm]
<b>H (height)</b>	2150
<b>H test (test room height)</b>	1210
<b>H max (max. test stroke without test tools, adapter and load cell )</b>	1090
<b>B (width)</b>	1080
<b>B absolut (width with control )</b>	ca. 1700
<b>B test (test room width)</b>	610
<b>Depth</b>	700
<b>Weight: 1080 kg</b>	



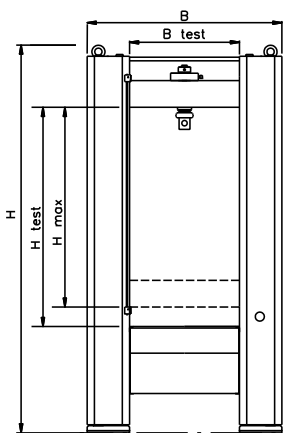


**Further options:**

- Temperature control equipment (e.g. ovens, temperature chambers) [Fig. 1].
- Clip-on extensometers, long-distance extensometers, optical extensometers [Fig. 2]
- Protective devices [Fig. 3]
- Multiple test rooms: lateral or above the moving crosshead [Fig. 1 and Fig. 4]
- Increased test speed
- Modified moving crosshead:
  - with load cell shifting unit for test applications outside the standard test axis
  - for mounting several load cells side by side
- Extensive range of accessories (e.g. T-groove plates [Fig. 4])



**Option: extension and widening of the test room**



Enlargement in [mm]	H +250	H +550	B +140	B +140 H +250	B +140 H +550	B +430	B +430 H +250	B +430 H +550
Weight [kg]	1100	1120	1140	1170	1190	1270	1290	1310
H [mm]	2400	2700	2150	2400	2700	2150	2400	2700
H test [mm]	1430	1700	1220	1430	1700	1220	1430	1700
H max [mm]	1270	1530	1090	1270	1530	1090	1270	1530
B [mm]	1080		1220			1510		
B test [mm]	610		750			1040		
Stiffness [kN/mm]	170		130			120		

