



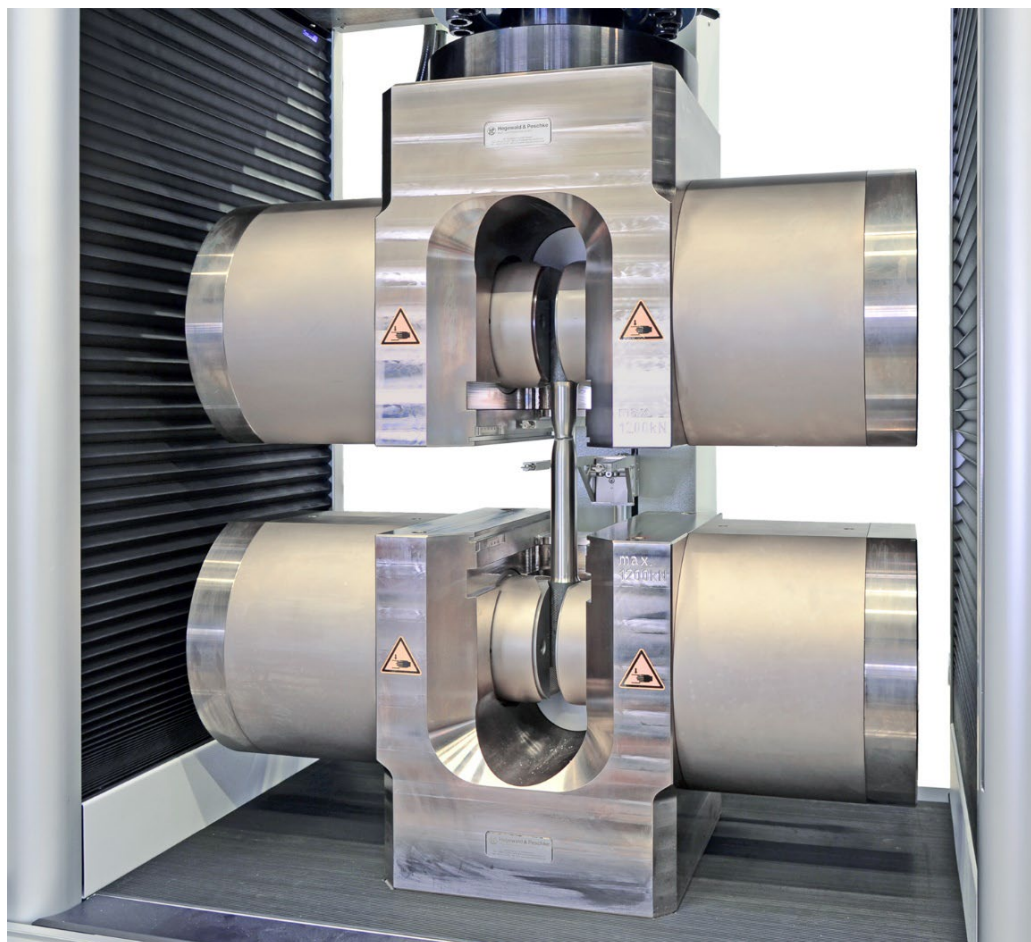
Hegewald & Peschke

Meß- und Prüftechnik GmbH

Product information

Hydraulic grips 1200 kN

double- or single-sided with manually adjustable clamp counter bearing



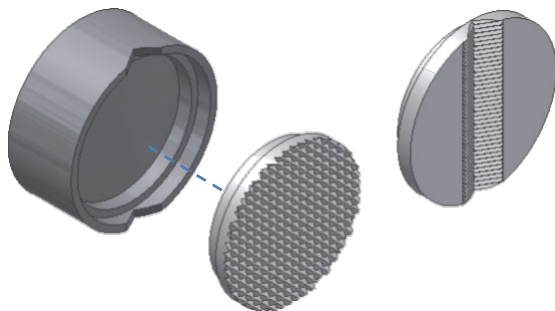
Hegewald & Peschke, Meß- und Prüftechnik GmbH
Am Gründchen 1, 01683 Nossen, Germany
Telephone: +49 35242 445-0
E-Mail: info@Hegewald-Peschke.de
<http://www.Hegewald-Peschke.com>

Fields of application:

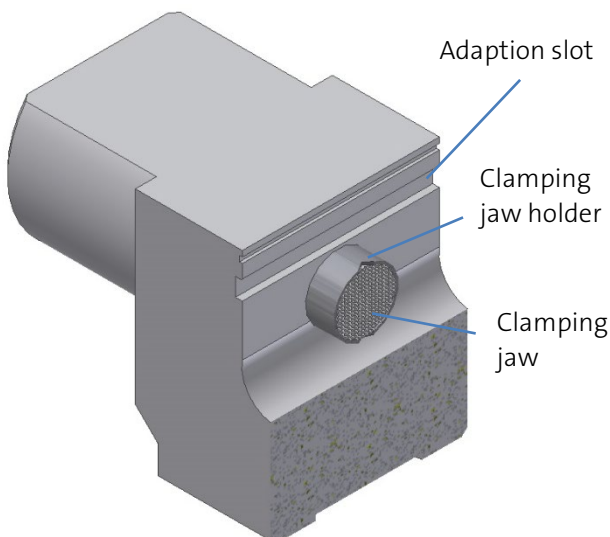
- Tensile test on flat and round specimens, e.g. according to EN ISO 6892-1
- Compression and bending tests can be realized via optional connections in the base body
- Shear tests
- Specimen materials: metallic and non-metallic materials, composites

Features and advantages:

- Available as synchronized version for symmetrical clamping (*Art. no. 1200.21*) or with manually adjustable clamping counter bearing for symmetrical and asymmetrical clamping (*Art. no. 1200.20*)
- Choice of standard version or model for clamping short specimens
- Modular clamping system consisting of jaw holder and clamping jaw
→ Lower wear and spare parts costs



Hydraulic grip with clamping:

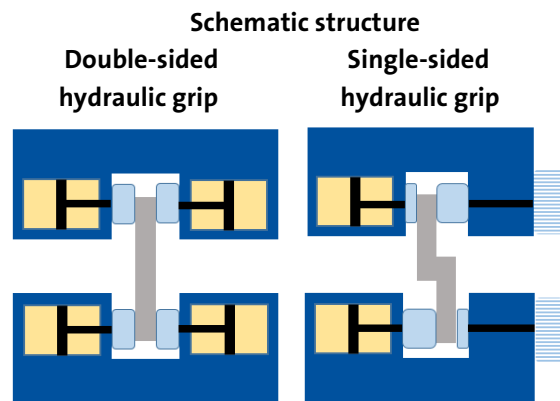


Single-sided closing hydraulic grips:

- Suitable for non-centric clamping, e.g. of bonded or welded specimens

Double-sided closing hydraulic grips:

- Mechanical synchronization control for shorter test times
- Reproducible clamping pressure
 - Constant over the entire test duration
 - Proportionally increasing to the tensile force



Overview of hydraulic grips 1200 kN

Design	Single-sided closing		Double-sided closing	
Minimum specimen clamping length	155 mm	129 mm	155 mm	129 mm
Article number	1200.21	1200.20/10	1200.21	1200.21/10



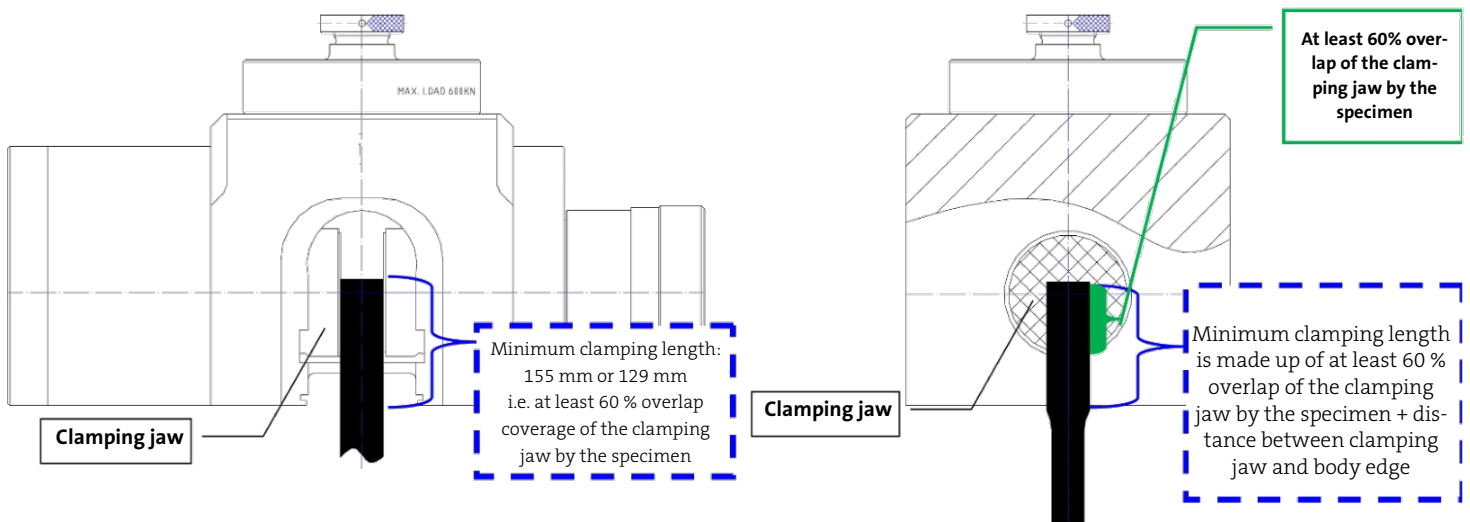
Technical data:

Capacity	1200 kN
Clamping pressure/ clamping force max.	500 bar/ 1740 kN
Temperature range	Room temperature
Specimen dimensions	Flat specimens thickness 0 - 120 mm, width up to 140 mm Round specimens 8 - 60 mm
Minimum clamping length	1200.20 & 1200.21: 155 mm 1200.20/10 & 1200.21/10: 129 mm
Connection / machine type	LK250-12xM30-IG / series inspekt 1200
Dimensions / design	Height 460 mm, width 820 mm, depth 400 mm / nickel-plated
Weight	500 kg per grip
Scope of delivery	1 pair of hydraulic grips 1200 kN without jaws
Required accessories	1 adapter set Clamping jaw holders Clamping jaws for flat specimens (plain or with profile) Clamping jaws for round specimens (with profile) Hydraulic power unit Computer control for semi-automatic hydraulic power unit
Optional accessories	Specimen depth control stop Coupling elements and specimen clamping aids on request

Minimum clamping length:

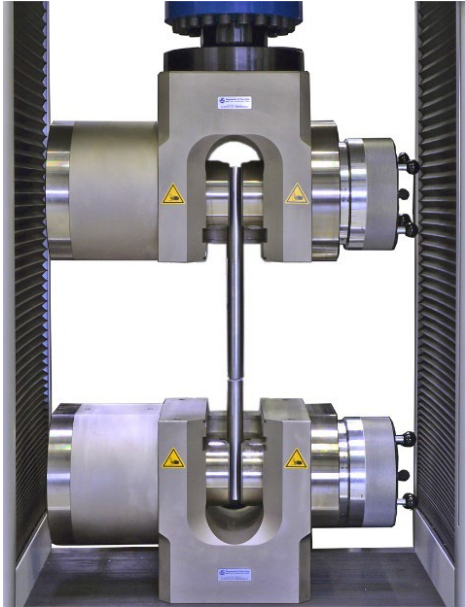
Standard model (1200.20 or 1200.21): 155 mm

Model for clamping short specimens (1200.20/10 or 1200.21/10): 129 mm

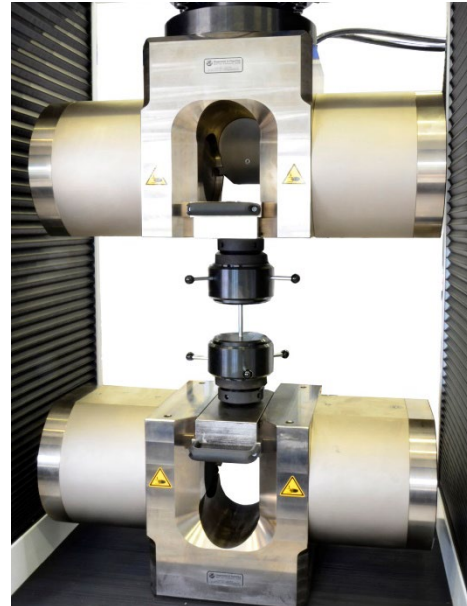


Application examples

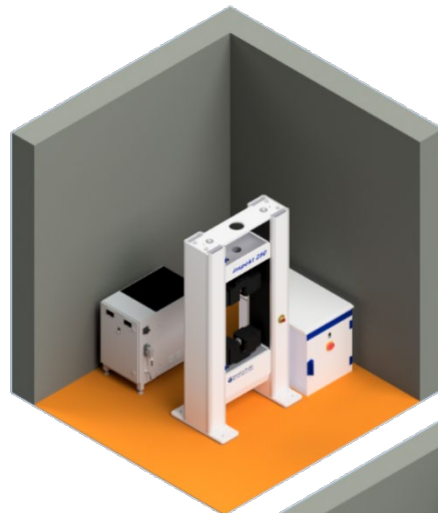
Single-sided closing hydraulic grips with manually adjustable counter bearing:



Double-sided hydraulic grip with adaptation of additional tools via coupling slide:



Hydraulic aggregates:



Functionality:

- Individual opening and closing of the clamping devices in inching mode via the manual control of the testing machine (RMC7)
- Automatic switch-off when the pre-pressure is reached
- Automatic start-up of the main pressure at the start of the test
- Various operating modes:
 - Single clamping
 - Retensioning at pressure threshold
 - Continuous clamping (option)
 - Force-proportional clamping (option)