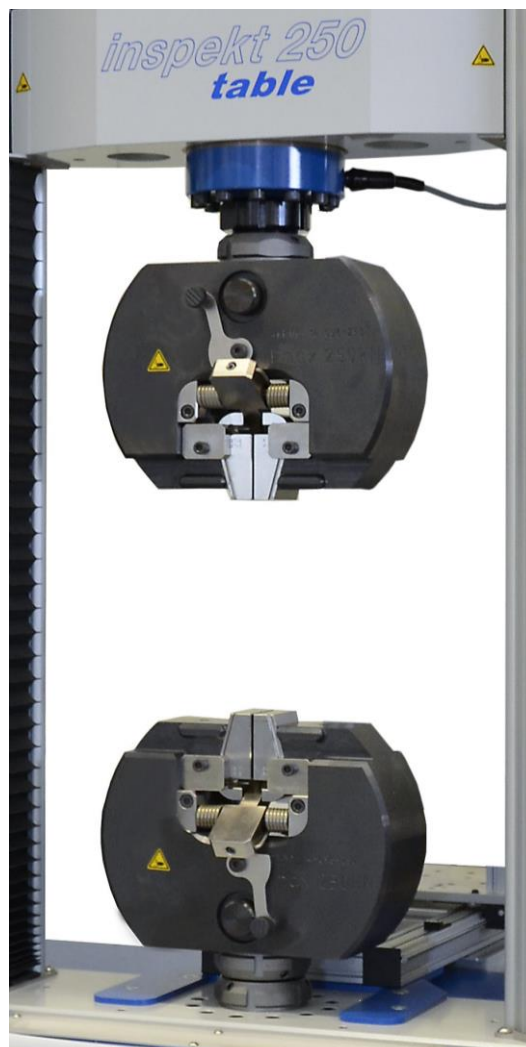




Product information

Wedge type grips

20 kN – 250 kN





Application:

- Tensile test on flat and round specimens, sheets, rods, profiles, strips, wires
- Metallic and non-metallic materials, plastics
- Compression and bending tests can also be carried out via coupling of additional testing tools

Essential characteristics:

- Self-clamping system due to wedge effect: closing force proportional to tensile force
- Designed for symmetrical clamping
- Opening and closing via lever, which is pre-tensioned with bending springs
- Locking at lower clamp to simplify the clamping of the tensile specimen
- Preload force applied by lever actuation and spring tension before the test begins
- Main clamping force due to wedge effect during tensile loading
- Specimen depth control for central clamping
- Interchangeable clamping jaws for different materials and specimen shapes
- Coupling of additional testing tools, load cells or special clamping via coupling slide possible

Technical data:

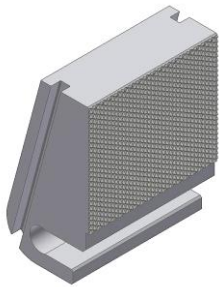
| | 14-096-020 | 14-096-050 | 14-096-051 | 14-096-100 | 14-096-250 |
|---|---|-----------------------|---|-----------------------|-------------------------|
| Capacity | 20 kN | 50 kN | 50 kN | 100 kN | 250 kN |
| Temperature range | Room temperature | | -70°C up to +300°C | Room temperature | |
| Specimen dimensions | Flat specimens 0 – 20 mm specimen width up to 40 mm; round specimens 4 – 21 mm | | Flat specimens 0 – 35 mm, specimen width up to 60 mm round specimens 5 – 35 mm | | |
| Connection | R20/8-H | R36/18-H | R36/18-H | R60/30-H | R60/30-H |
| Dimensions (HxWxD) [mm] (plus lever) / design | 115x145x65 browned | 130x165x65 browned | 130x165x65 nickel-plated | 210x250x95 browned | 220x300x 110 browned |
| Weight per clamp (without jaws) | 4 kg | 6.5 kg | 7 kg | 28 kg | 48 kg |
| Coupling system for connecting additional tools | - | AS40 | AS40 | AS60 | AS60 |
| Included in delivery | 1 pair of wedge type grips | | | | |



Necessary accessories (can be ordered optionally)

| 14-096-020 | 14-096-050 | 14-096-051 | 14-096-100 | 14-096-250 |
|--|------------|------------|--|------------|
| <ul style="list-style-type: none"> • Clamping jaws for flat specimens 0 – 10 mm, profile saw teeth 1.5 mm, item no.: 14-096-510 • Clamping jaws for flat specimens 8 – 15 mm, profile saw teeth 1.5 mm, item no.: 14-096-520 • Clamping jaws for flat specimens 12 – 20 mm, profile saw teeth 1.5 mm, item no.: 14-096-530 • Clamping jaws for round spec. 4 – 10 mm, profile saw teeth 1.5 mm, item no.: 14-096-610 • Clamping jaws for round spec. 8 – 14 mm, profile saw teeth 1.5 mm, item no.: 14-096-620 • Clamping jaws for round spec. 12 – 17 mm, profile saw teeth 1.5 mm, item no.: 14-096-630 • Clamping jaws for round spec. 17 – 21 mm, profile saw teeth 1.5 mm, item no.: 14-096-640 • Clamping jaws for wires 0 – 10 mm item no. 14-096-590 | | | <ul style="list-style-type: none"> • Clamping jaws for flat specimens 0 – 15 mm, profile pyramid teeth 1.5 mm, item no.: 14-096-715 • Clamping jaws for flat specimens 14 – 26 mm, profile pyramid teeth 1.5 mm, item no.: 14-096-725 • Clamping jaws for flat specimens 23 – 35 mm, profile pyramid teeth 1.5 mm, item no.: 14-096-735 • Clamping jaws for round specimens 5 – 15 mm, profile pyramid teeth 1.5 mm, item no.: 14-096-815 • Clamping jaws for round specimens 15 - 23 mm, profile pyramid teeth 1.5 mm, item no.: 14-096-825 • Clamping jaws for round specimens 23 – 30 mm, profile pyramid teeth 1.5 mm, item no.: 14-096-835 • Clamping jaws for round specimens 30 – 35 mm, profile pyramid teeth 1.5 mm, item no.: 14-096-845 • Clamping jaws for wires 0 – 10 mm item no. 14-096-591 | |

Saw teeth profile for flat specimen



compact design

Pyramid profile for flat specimen



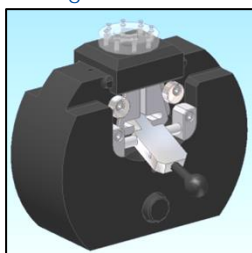
modular design

Pyramid profile for round specimen

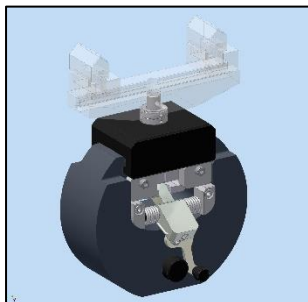


modular design

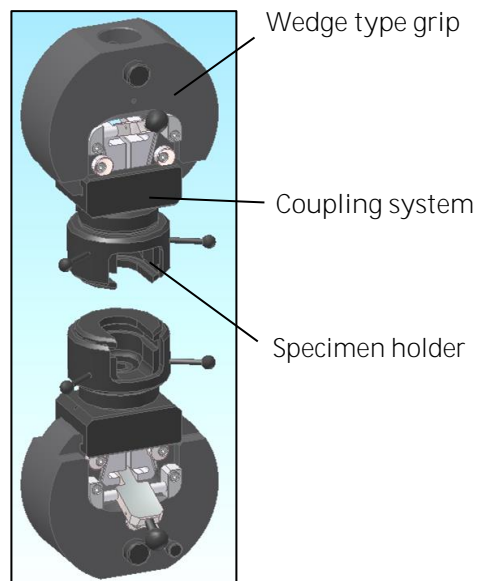
Configuration:



Wedge type grip with adapted load cell



Wedge type grip with adapted specimen holder



Test system for tensile tests on thread, shoulder or screw specimens



Further application:



Test system Wedge type grip with extended clamping jaws (item no.: 14-096-590 or 14-096-591) for clamping of wires



Test system wedge type grip with adapted specimen holder for the testing of threads



Test system wedge type grip with adapted compression plates for spring testing



Test system wedge type grip with long distance extensometer MFN-A



Test system wedge type grip with clip-on extensometer MFA-25