



# Hegewald & Peschke

Meß- und Prüftechnik GmbH

## Product information

# Specimen holder 1200 kN

for testing screws, nuts, threaded and shouldered specimens



Hegewald & Peschke Meß- und Prüftechnik GmbH  
Am Gründchen 1, 01683 Nossen  
Telephone: +49 35242 445-0  
E-Mail: [info@Hegewald-Peschke.de](mailto:info@Hegewald-Peschke.de)  
<http://www.Hegewald-Peschke.com>

### Fields of application:

- Testing of screws, nuts, threaded and shouldered specimens, shackles
- Tensile tests based on ISO 898

### Technical data:

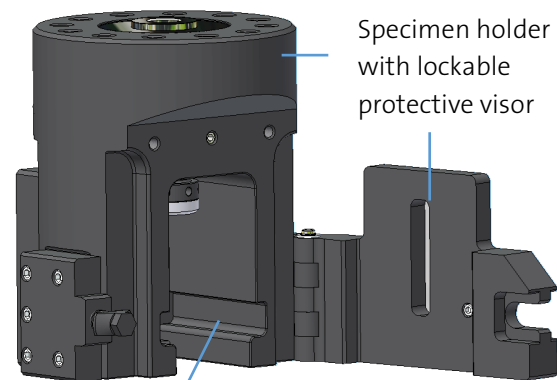
Specimen holder 1200 kN	
<b>Item number</b>	14-121-001
<b>Capacity</b>	1200 kN
<b>Loading direction</b>	Tension or compression (depending on the type of the insertion plates)
<b>Specimen dimensions</b>	Depending on the insertion plates Threaded, shouldered and screw specimens up to M48
<b>Design</b>	With protective visor Access for extensometer type MFS for screws
<b>Temperature range</b>	Room temperature
<b>Connection</b>	LK250-12xM30-IG
<b>Weight per clamp</b>	200 kg
<b>Scope of delivery</b>	1 pair of specimen holders without insertion plates, transport device for forklift truck

### Construction:

The systems for testing screws, nuts, threaded and shouldered specimens as well as shackles with the specimen holder have a modular design. This enables the testing of many different specimen types and sizes with one grip.

The specimen holder provides a slide-in system into which an insertion plate is mounted. Some specimen shapes, such as shouldered or threaded specimens, can be tested directly with this set-up. For other test specimens, such as nuts or screws, additional specimen adapters are added to the insertion plate. The adapters allow rigid or movable mounting.

After the insertion plates are mounted, the specimen holder is locked securely with a visor. The specimen holder is suitable for use with a special extensometer for screw testing (MFS clip-on extensometer).



Insertion system

