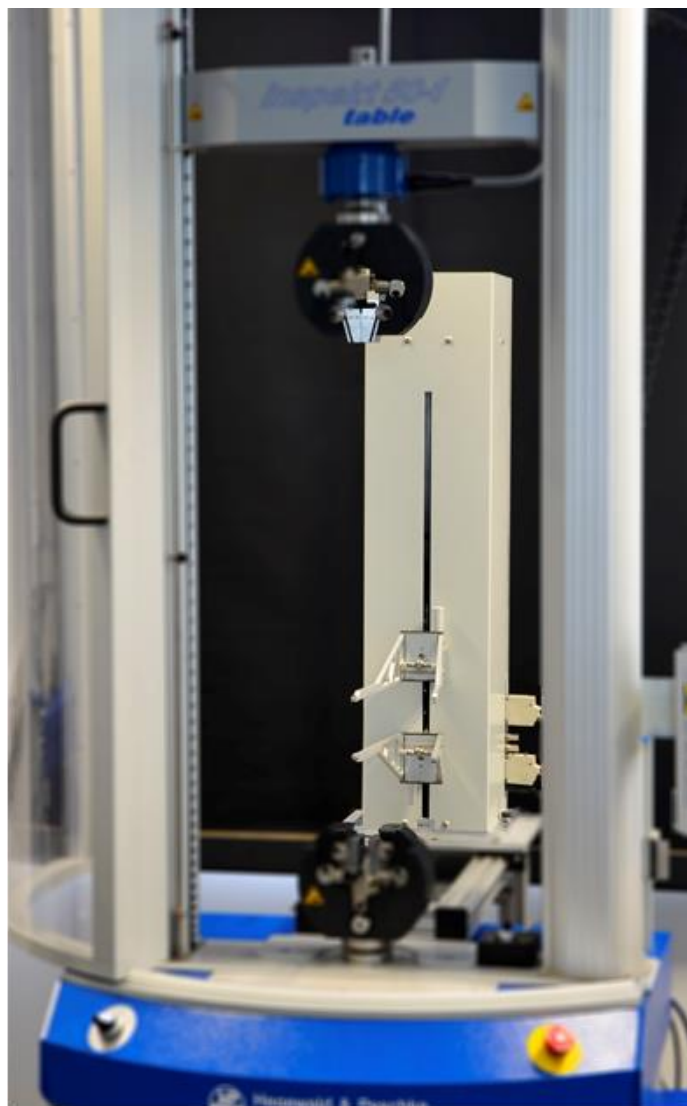




## Product information

# Long distance extensometers series MFX



### Application

The measuring instruments are suitable for the evaluation of the parameters, including the modulus of elasticity and the ultimate strength of a variety of specimen. The integrated tiltable blades also allow the tensile test on brittle and very hard materials (e.g. cast, high-strength steel or CFRP).

The MFX is also suitable for small, notch-sensitive specimen due to lowest clamping forces, combined with high measuring accuracy.

The setting of the initial position (start position lower measuring arm) is carried out manually via a supplied external handpanel. The opening and closing of the measuring arms as well as the start of the initial device length  $L_0$  are carried out automatically via the software LabMaster.

### Technical data

<b>Accuracy class</b>	1 according EN ISO 9513 (optional 0.5)
<b>Indication error</b>	0.5 % respectively 1,5 $\mu$ m (larger value is permitted)
<b>Measuring principle</b>	optical-incremental
<b>Actuating force</b>	10cN
<b>Temperature range of application</b>	0° ... 50°C
<b>Initial gauge length error</b>	+/- 0.5%
<b>Specimen diameter</b>	0-65mm
<b>Specimen thickness</b>	0-65mm
<b>Specimen width</b>	0-360mm
<b>Range measuring arms</b>	259mm (middle of the blade)
<b>Parallel length measuring arms</b>	170mm (middle of the blade)
<b>Included in delivery</b>	Extensometer including electrics, Hand panel for setting $L_0$ and position, 4 pc. retractable mechanism with eccentrically double knife edges

### Models

Item number	For the machine series inspekt table and inspekt table blue				For the machine series inspekt		
	15-100-060	15-100-062	15-100-068	15-100-901	15-100-064	15-100-066	15-100-069
<b>Measuring range</b>	200mm	200mm	500mm	700mm	200mm	200mm	500mm
<b>Resolution</b>	0.1 $\mu$ m	0.01 $\mu$ m	0.1 $\mu$ m	0,01 $\mu$ m	0.1 $\mu$ m	0.01 $\mu$ m	0.1 $\mu$ m
<b>Positioning range</b>	120mm		420mm	620 mm	120mm		420mm
	without constraints of the measuring range						
<b>Weight</b>	24kg		30kg	30kg	24kg		30kg
<b>Standard initial gauge length <math>L_0</math></b>	10 ... 200mm		10 ... 500mm	10 ... 700mm	10 ... 200mm		10 ... 500 mm

Your contact person:

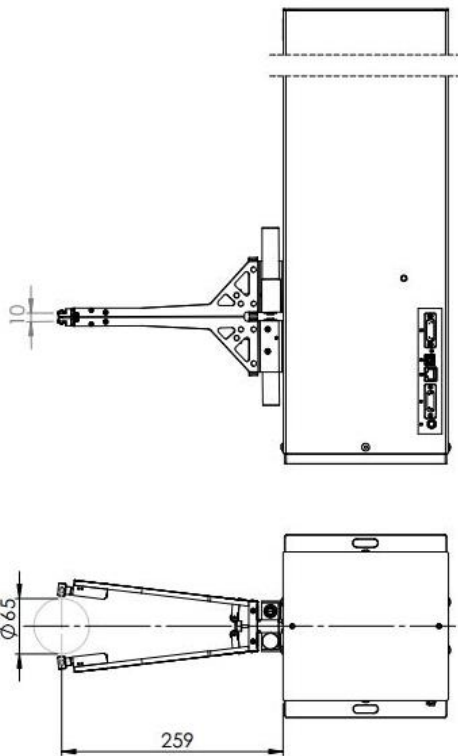
:



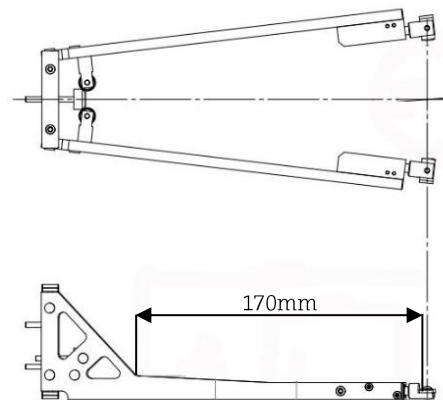
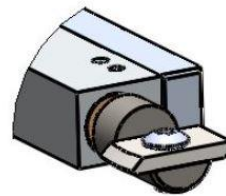
### Options

- Device for changing the measuring direction downwards when used in the upper test room of a universal testing machine
- Displacement of the measuring arms by 90mm, thus increased range of the measuring arms (middle of the blade: 349mm)
- Adapter plates with rubber - knife edge
- Increase of opening width of the measuring arms for specimen up to  $\varnothing 120\text{mm}$
- Special gauge head for temperature chamber from  $-50^{\circ}\text{C}$  to  $300^{\circ}\text{C}$

### Views long distance extensometer MFX sideways and from above



### Views tiltable blades at the long distance extensometer MFX



Your contact person:

: