



Hegewald & Peschke

Meß- und Prüftechnik GmbH

Product information

Long distance extensometers series MFX



Hegewald & Peschke, Meß- und Prüftechnik GmbH
Am Gründchen 1, 01683 Nossen
Telephone: +49 35242 445-0, Telefax: +49 35242 445-111
E-Mail: info@Hegewald-Peschke.de
<http://www.Hegewald-Peschke.com>



Application

The measuring instruments are suitable for the evaluation of the parameters, including the modulus of elasticity and the ultimate strength of a variety of specimen. The integrated tiltable blades also allow the tensile test on brittle and very hard materials (e.g. cast, high-strength steel or CFRP).

The MFX is also suitable for small, notch-sensitive specimen due to lowest clamping forces, combined with high measuring accuracy.

The setting of the initial position (start position lower measuring arm) is carried out manually via a supplied external handpanel. The opening and closing of the measuring arms as well as the start of the initial device length L_0 are carried out automatically via the software LabMaster.

Technical data

Accuracy class	1 according EN ISO 9513 (optional 0.5)
Indication error	0.5 % respectively 1.5 µm (larger value is permitted)
Measuring principle	optical-incremental
Actuating force	10 cN
Temperature range of application	0° ... 50°C
Initial gauge length error	+/- 0.5%
Specimen diameter	0-65 mm
Specimen thickness	0-65 mm
Specimen width	0-360 mm
Range measuring arms	259 mm (middle of the blade)
Parallel length measuring arms	170 mm (middle of the blade)
Included in delivery	Extensometer including electrics, retractable mechanism with eccentrically double knife edges

Models

Measuring range	200 mm ¹		500 mm ¹		700 mm ¹	
Positioning range	120 mm ²		420 mm ²		620 mm ²	
Weight	24 kg		30 kg		34 kg	
Standard initial gauge length L_0	10 – 200 mm		10 – 500 mm		10 – 700 mm	
Resolution	0.1 µm	0.01 µm	0.1 µm	0.01 µm	0.1 µm	0.01 µm
Item number	15-100-100	15-100-110	15-100-102	15-100-112	15-100-104	15-100-114

¹ less gauge length

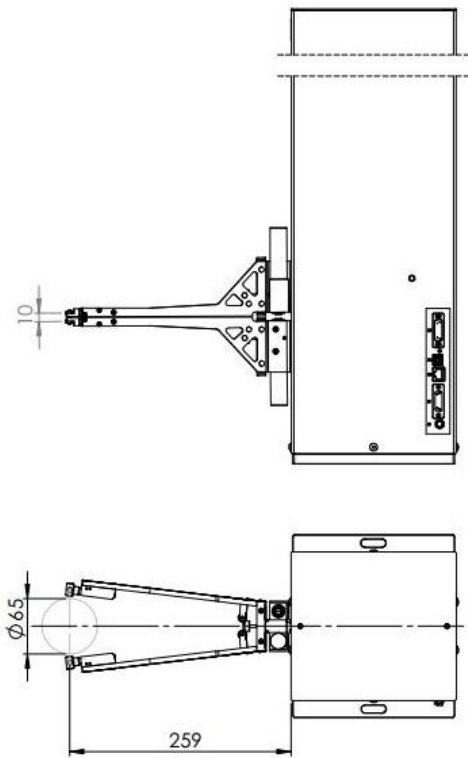
² without constraints of the measuring range



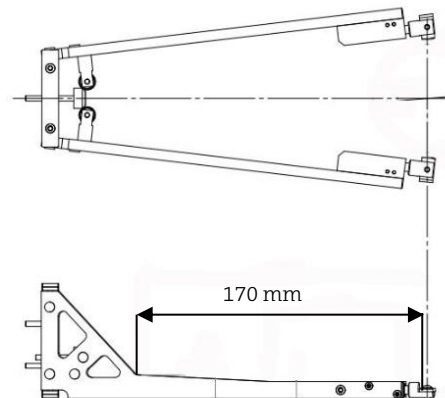
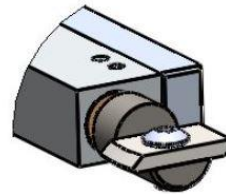
Options

- Device for changing the measuring direction downwards when used in the upper test room of a universal testing machine
- Displacement of the measuring arms by 90 mm, thus increased range of the measuring arms (middle of the blade: 349 mm)
- Adapter plates with rubber - knife edge
- Increase of opening width of the measuring arms for specimen up to $\varnothing 120$ mm
- Special gauge head for temperature chamber from -50°C to 300°C

Views long distance extensometer MFX sideways and from above



Views tiltable blades at the long distance extensometer MFX





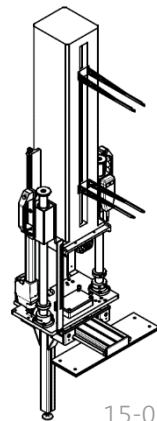
Holder for the long distance extensometers MFX on universal testing machines

Item no.	Machine series	Version
15-008-220	inspekt duo	<ul style="list-style-type: none"> • fixation at centre, rear side • fixed height • manually twisted in/out of test room
15-010-004¹	inspekt blue / table 5-50 kN	<ul style="list-style-type: none"> • centred installation on the lower fixed crosshead • support against mounting brackets machine frame • roller guiding for movement inside/outside test room
15-010-051¹	table 50-250 kN	<ul style="list-style-type: none"> • centred installation on the lower fixed crosshead • support against mounting brackets machine frame • fixed height • roller guiding for movement inside/outside test room
15-030-003	inspekt 100- 300 kN	<ul style="list-style-type: none"> • fixation at rear side of the testing machine • fixed height • roller guiding for movement inside/outside test room
15-030-034	inspekt 100- 300 kN	<ul style="list-style-type: none"> • fixation at rear side of the testing machine • integrated motor-driven height adjustment with height adjustment range 280 mm (2-button operation) • roller guiding for movement inside/outside test room
15-030-103	inspekt 400- 600 kN	<ul style="list-style-type: none"> • fixation at rear side of the testing machine • fixed height • roller guiding for movement inside/outside test room
15-030-134	inspekt 400- 600 kN	<ul style="list-style-type: none"> • fixation at rear side of the testing machine • integrated motor-driven height adjustment with height adjustment range 280 mm (2-button operation) • roller guiding for movement inside/outside test room
15-030-124	inspekt 1000 – 1200 kN	<ul style="list-style-type: none"> • fixation at rear side of the testing machine • integrated motor-driven height adjustment with height adjustment range 300 mm (2-button operation) • roller guiding for movement inside/outside test room • Note: Extensometer (MFL, MFX, etc.) with extended measuring arms required.
15-030-123	inspekt 1200 kN	<ul style="list-style-type: none"> • fixation at rear side of the testing machine • fixed height • roller guiding for movement inside/outside test room
15-030-107	inspekt 1500 kN	<ul style="list-style-type: none"> • fixation at rear side of the testing machine • fixed height • roller guiding for movement inside/outside test room • Note: Extensometer (MFL, MFX, etc.) with extended measuring arms required.

¹ If the following clamping tool combinations are used in the testing machine, the article no. 15-010-001 is required additionally: screw wedge type grip - wedge type grip with specimen holder - hydraulic grip with specimen holder



15-010-051



15-030-034



15-030-103