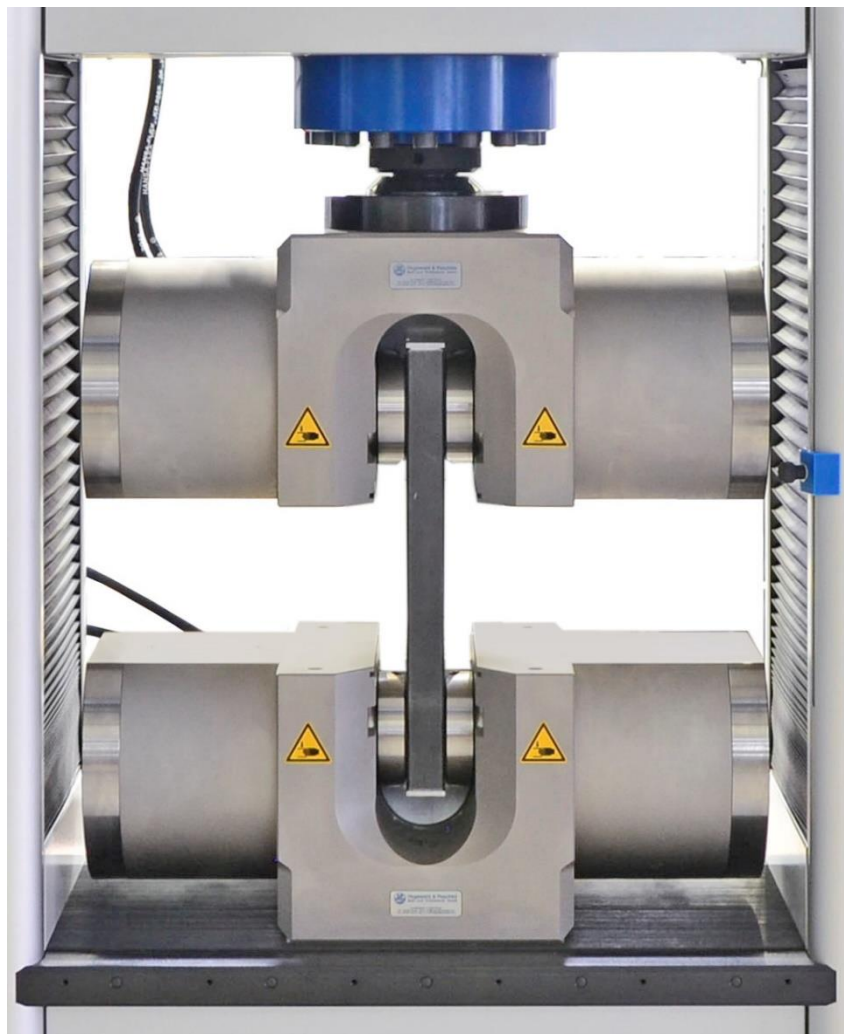




## Product information

# Hydraulic grips 400 kN

double- or single-sided with manually adjustable clamp counter bearing  
with coupling system for additional tools, specimen clamping aids, etc..



### Fields of application:

- Tensile test on flat and round specimens, e.g. according to EN ISO 6892-1
- Compression and bending tests can be realized via optional connections in the base body
- Shear tests
- Specimen materials: metallic and non-metallic materials, composites

### Features and advantages:

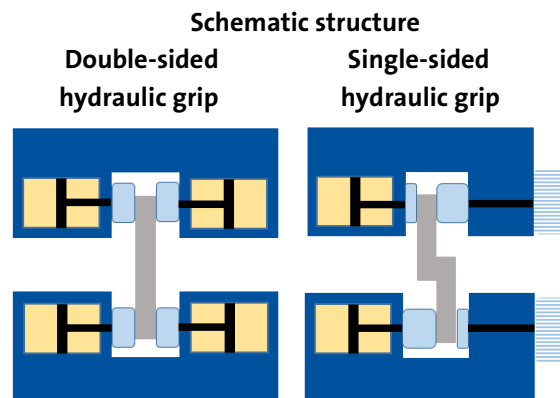
- Available as synchronized version for symmetrical clamping (Art. no. 400.21) or with manually adjustable clamping counter bearing for symmetrical and asymmetrical clamping (Art. no. 400.20)
- Modular clamping system consisting of jaw holder and clamping jaw (see Fig. page 3)  
→ Lower wear and spare parts costs

### Single-sided closing hydraulic grips:

- Suitable for non-centric clamping, e.g. of bonded or welded specimens

### Double-sided closing hydraulic grips:

- Mechanical synchronization control for shorter test times
- Reproducible clamping pressure
  - Constant over the entire test duration
  - Proportionally increasing to the tensile force



### Technical data:

<b>Capacity</b>	400 kN
<b>Clamping pressure/ clamping force max.</b>	500 bar/ 615 kN
<b>Temperature range</b>	Room temperature
<b>Specimen dimensions</b>	Flat specimens thickness 0 - 80 mm, width up to 87 mm Round specimens 8 - 60 mm
<b>Minimum clamping length</b>	85 mm (60% clamping area, see figure on page 3)
<b>Connection / machine type</b>	LK184-8xM16-IG / series inspekt 300-400
<b>Dimensions / design</b>	Height 260 mm, width 562 mm, depth 240 mm / nickel-plated
<b>Weight</b>	140 kg per grip (single-sided closing model) 165 kg per grip (double-sided parallel closing model)
<b>Scope of delivery</b>	1 pair of hydraulic grips 400 kN without jaws
<b>Required accessories</b>	<ul style="list-style-type: none"> <li>• 1 adapter set</li> <li>• Clamping jaw holders</li> <li>• Clamping jaws for flat specimens (plain or with profile)</li> <li>• Clamping jaws for round specimens (with profile)</li> <li>• Hydraulic power unit</li> <li>• Computer control for semi-automatic hydraulic power unit</li> </ul>
<b>Optional accessories</b>	<ul style="list-style-type: none"> <li>• Specimen depth control stop</li> <li>• Coupling elements and specimen clamping aids on request</li> </ul>

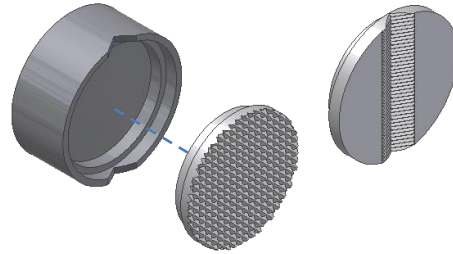
Image gallery

**Single-sided closing hydraulic grips:**

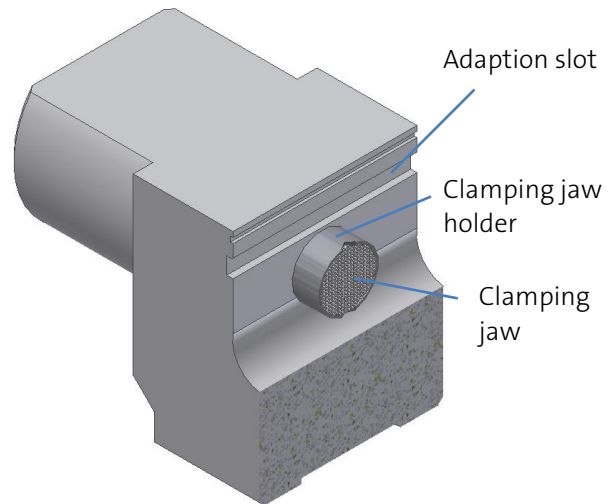


**Modular clamping system:**

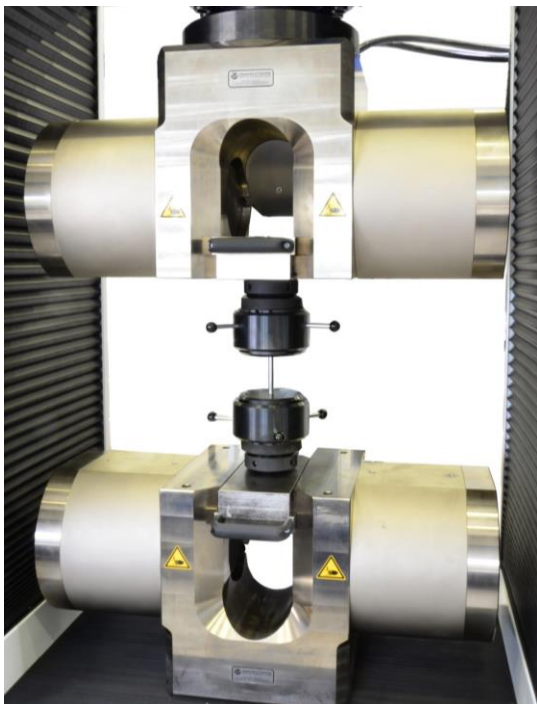
Clamping jaw holder with clamping jaws for flat and round specimens



Hydraulic grip with clamping:



**Double-sided closing hydraulic grips with adaptation of additional tools via adapter slots**



**Minimum clamping length: 85 mm**

