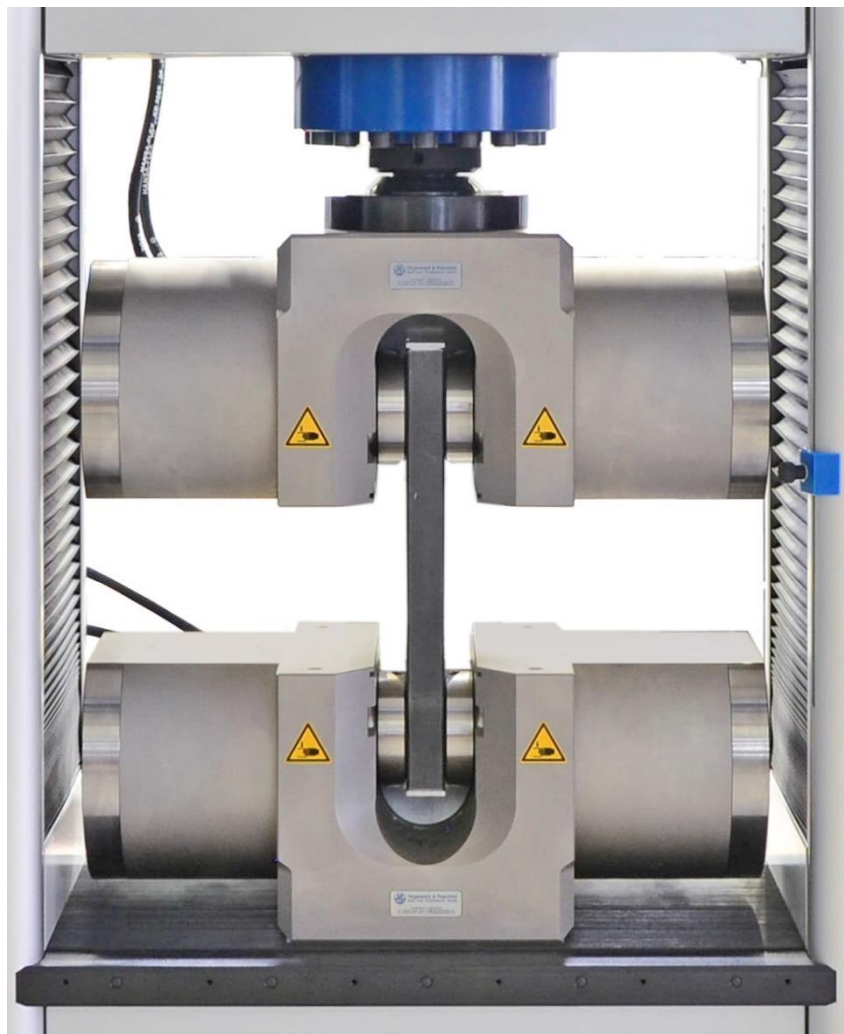




Product information

Hydraulic grips 600 kN

double- or single-sided with manually adjustable clamp counter bearing
with coupling system for additional tools, specimen clamping aids, etc..



Fields of application:

- Tensile test on flat and round specimens, e.g. according to EN ISO 6892-1
- Compression and bending tests can be realized via optional connections in the base body
- Shear tests
- Specimen materials: metallic and non-metallic materials, composites

Features and advantages:

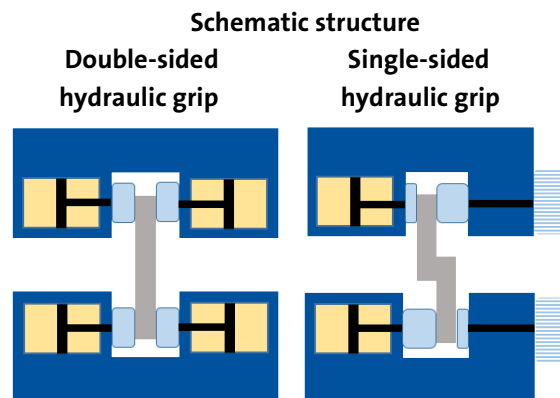
- Available as synchronized version for symmetrical clamping (Art. no. 600.21) or with manually adjustable clamping counter bearing for symmetrical and asymmetrical clamping (Art. no. 600.20)
- Modular clamping system consisting of jaw holder and clamping jaw (see Fig. page 3)
→ Lower wear and spare parts costs

Single-sided closing hydraulic grips:

- Suitable for non-centric clamping, e.g. of bonded or welded specimens

Double-sided closing hydraulic grips:

- Mechanical synchronization control for shorter test times
- Reproducible clamping pressure
 - Constant over the entire test duration
 - Proportionally increasing to the tensile force

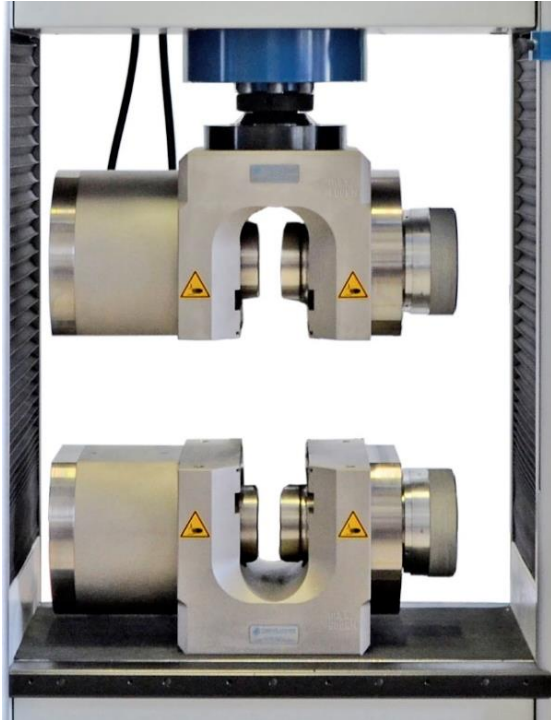


Technical data:

Capacity	600 kN
Clamping pressure/ clamping force max.	500 bar/ 1000 kN
Temperature range	Room temperature
Specimen dimensions	Flat specimens thickness 0 - 100 mm, width up to 110 mm Round specimens 8 - 60 mm
Minimum clamping length	115 mm (60% clamping area, see figure on page 3)
Connection / machine type	LK184-8xM16-IG / series inspekt 600
Dimensions / design	Height 270 mm, width 656 mm, depth 300 mm / nickel-plated
Weight	240 kg per grip (single-sided closing model) 270 kg per grip (double-sided parallel closing model)
Scope of delivery	1 pair of hydraulic grips 600 kN without jaws
Required accessories	<ul style="list-style-type: none"> • 1 adapter set • Clamping jaw holders • Clamping jaws for flat specimens (plain or with profile) • Clamping jaws for round specimens (with profile) • Hydraulic power unit • Computer control for semi-automatic hydraulic power unit
Optional accessories	<ul style="list-style-type: none"> • Specimen depth control stop • Coupling elements and specimen clamping aids on request

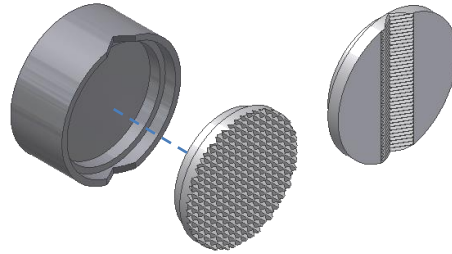
Image gallery

Single-sided closing hydraulic grips 600 kN:

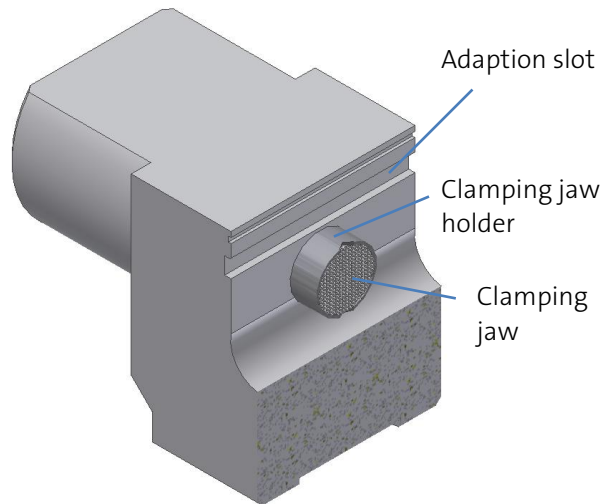


Modular clamping system:

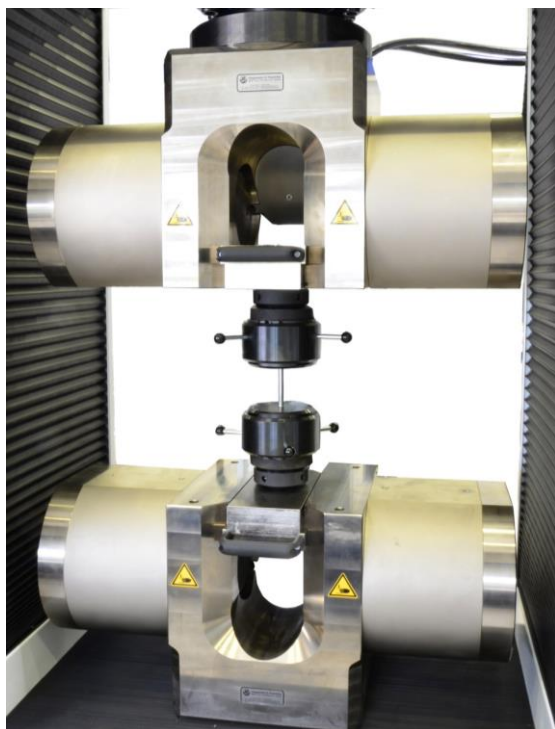
Clamping jaw holder with clamping jaws for flat and round specimens



Hydraulic grip with clamping:



Double-sided closing hydraulic grips with adaptation of additional tools via adapter slots



Minimum clamping length: 115 mm

