



Hegewald & Peschke

Meß- und Prüftechnik GmbH

Product information

Safety doors

for table machines of the series inspekt



Hegewald & Peschke Meß- und Prüftechnik GmbH
Am Gründchen 1, 01683 Nossen, Germany
Telephone: +49 35242 445-0, Telefax: +49 35242 445-111
E-Mail: info@Hegewald-Peschke.de
<http://www.Hegewald-Peschke.de>



Safety doors for universal testing machines series **inspekt solo**

Safety door round closed on all sides (optionally angular)



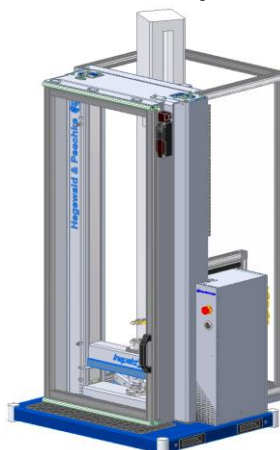
Note: If a non-electrically interlocked safety door is selected, an RMCi7 hand control unit is required for operation with the universal testing machines of the inspekt solo series.

Safety doors for universal testing machines series **inspekt duo**

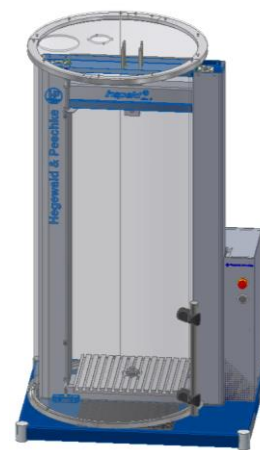
Safety door straight on front and sides



Safety door straight with rear safety wall

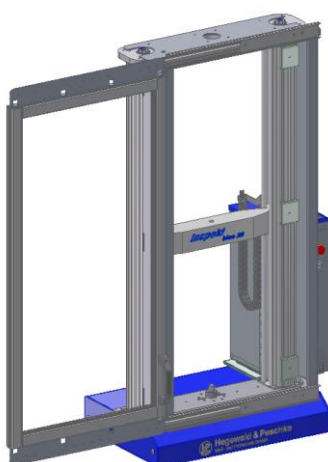


Safety door round closed on all sides

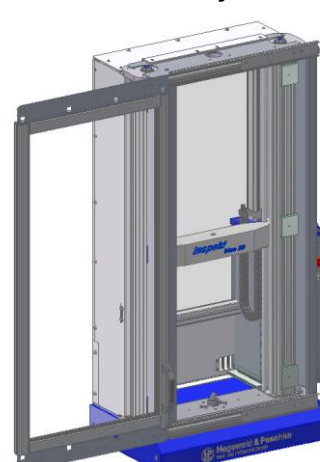


Safety doors for universal testing machines series **inspekt blue**

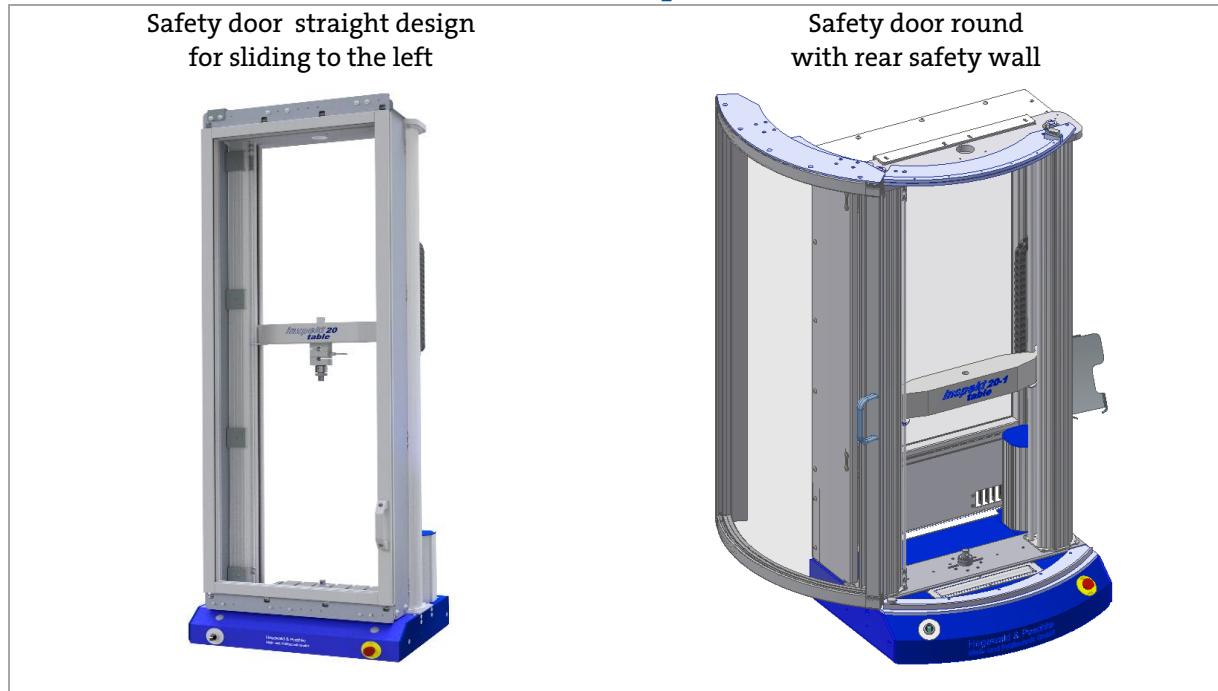
Safety door straight on front and sides



Safety door straight with rear safety wall



Safety doors for universal testing machines series **inspekt table**



Each model of the inspekt series can be equipped with a transparent Makrolon safety door. These are essential for some test procedures and materials for the protection of the operating personnel, e.g. in the case of splintering specimens. Depending on the design of the safety door, the various requirements according to EN ISO 13489-1 can be performed.

All safety doors for the front of the testing machines are available:

- Without electrical interlock
- With software monitoring (PL a)
 - Status monitoring: open - closed, the software activates the guard locking (configurable) of the safety door during the test procedure. When the door is open, the machine can be moved. (Performance level PL a according to EN ISO 13489-1)
- With safe electrical locking (PL d)
 - Status monitoring: open - closed, the software activates the guard locking (configurable) of the safety door during the test procedure. When the door is open, it is not possible to move the machine. (safe, electrical interlocking - performance level PL d according to EN ISO 13489-1)
 - Rear protective wall required

In standard the safety walls for the rear of the testing machine are permanently mounted.